



● Statement

EM-150 is designed for surface mount on out-swing doors. The maglock can be configured to mount on in-swing and glass doors with optional LZ- and U-shaped brackets. EM-150M comes with magnetic bond sensor indicating locked and unlocked status.

● Specification

- Voltage Tolerance: 15%
- Operating Voltage: 12/24 VDC
- Current Draw: 420mA/12VDC
210mA/24VDC (at 20°C)
- Bond sensor output (EM-150M):
SPDT rated 0.25A/12VDC
- Operating Temperature: -10~55°C (14~131°F)
- Humidity: 0~95% non-condensing
- Holding force: Up to 300lbs (136Kg)
- Dimensions:
Magnet: (L) 200, (W) 36, (D) 24mm
Armature Plate: (L) 152, (W) 32, (D) 10mm
Mounting Plate: (L) 200, (W) 22, (D) 5mm
- Special Finishes for magnet and armature plate:
Zinc plated
- Epoxy potting compound: E87252 ,UL94V-0
- Weight (Approx.): 1.5Kg

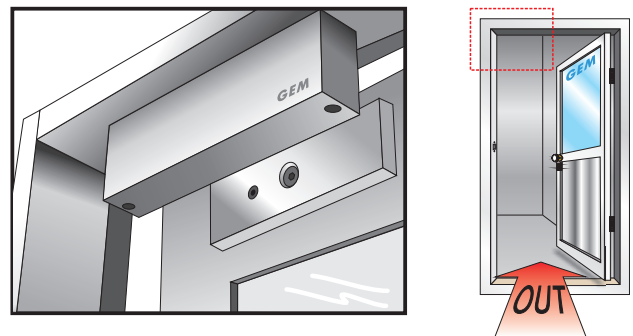
● Warranty

The product is warranted against defects in material and workmanship while used in a normal service for a period of 5 years from the date of sale to the original client. The company policy is one of continual improvement; therefore the company reserves the right to change specifications without notice.

● Features

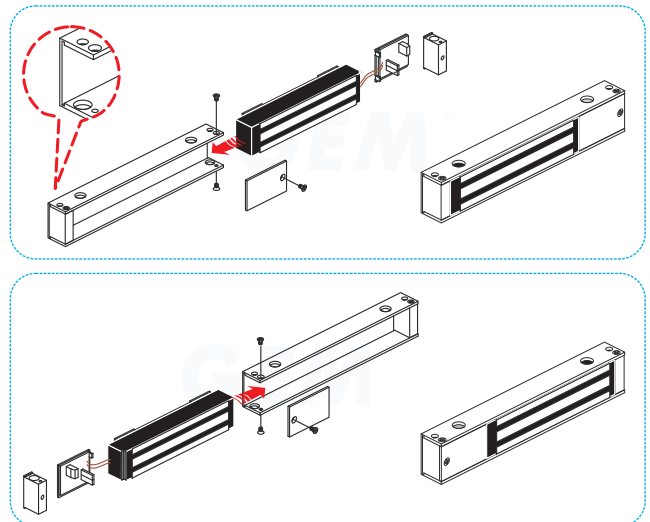
- 300 lbs Micro Magnet
- Perfect for ordinary exit doors
- Ideal for closet and small filling cabinets
- Anodized aluminum housing
- Adjustable mounting plate for easy installation
- Dual voltage 12 or 24 VDC (selectable)
- Anti-Residual magnetism design
- Magnet can be installed vertically or horizontally.

● Standard Installation



● Magnet Reversible on site

Magnet can be installed in direct or reversible direction installation

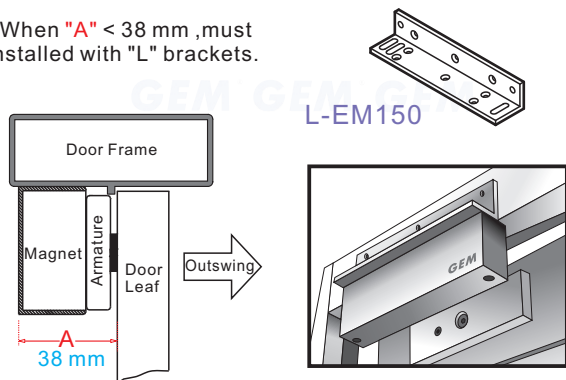


Optional Brackets

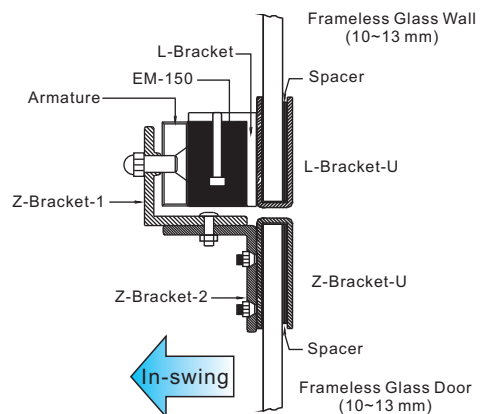
Bracket installation is according to door swing direction and door frame type, e.g. narrow frame door, frameless glass door, in-swing door, etc.

L-bracket for narrow door frames

When "A" < 38 mm, must be installed with "L" brackets.

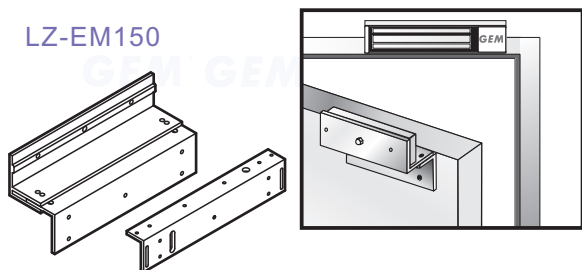


GLZ-EM150



LZ-bracket for in-swing doors

LZ-EM150



Operating Features

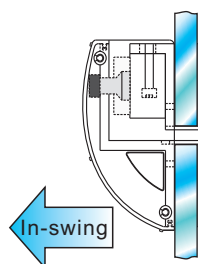
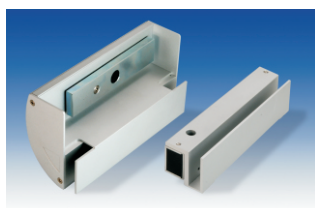
EM-150M: Bond sensor output



Bond sensor output
SPDT rated: 0.25A/12VDC

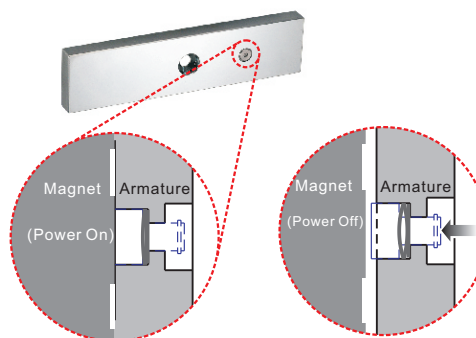
Indicate the locked & unlocked status with visible LED indicator.

MG-300LZ



MG-300LZ Brackets are designed for EM-150 Electromagnetic Lock to be installed on full frameless glass doors. The lock and the armature plate are wrapped up by the brackets to make the lock aesthetic.

Anti-residual statement



Anti-residual statement

Our electromagnet locks feature Anti-Residual Magnetism (ARM) which ensures the door can be opened without any resistance from left over magnetism imparted to the armature plate